

LEVEL SWITCH



SIDE MOUNTED

IPS-LS-01

SPECIAL FEATURES

- RUGGED CONSTRUCTION
- LOW COST
- EASY INSTALLATION
- EASY REPLACEMENT OF ELECTRICAL ASSEMBLY

APPLICATIONS

- CHEMICAL PROCESSING EQUIPMENT
- ALARMS FOR HYDRO-PNEUMATIC TANKS
- SHIP BUILDING INDUSTRY
- SEWAGE & WATER TREATMENT PLANT
- FOOD, PHARMACEUTICALS, CHEMICAL & POWER PLANTS



SPECIFICATIONS STANDARD VERSION :

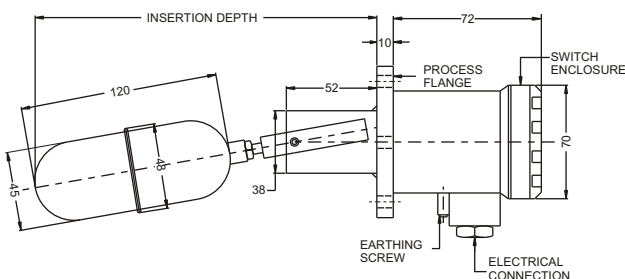
Housing material	: Die Cast Aluminum
Ingress Protection	: IP 65
Process Connection	: 92 mm PCD Square Flange
Material of Wetted parts	: AISI 316 SS
Float Diameter	: 45 mm (48 mm at welded seam)
Insertion Depth	: 215 mm (Standard)

Cable Entry	: 1/2" BSP (F) with 1/2" BSP (M) Conduit
Switch Differential	: 3 to 25 mm
Switch Type	: Micro Switch
Switch Rating	: 5 A / 250 VAC

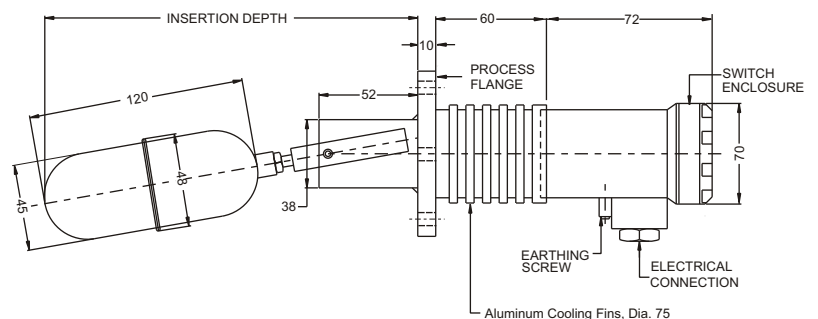
Minimum Specific Gravity	: 0.75
Maximum Operating Temperature	: -10°C to + 180°C
Maximum Operating Pressure	: 18 kg/cm ²

DIMENSIONS - STANDARD VERSION

TYPE - A: GENERAL PURPOSE



TYPE - H: HIGH TEMPERATURE (UP TO 350°C)



Notes : • Drawings are not to scale. • All Dimensions are in mm



Industrix Precise Solutions Private Limited

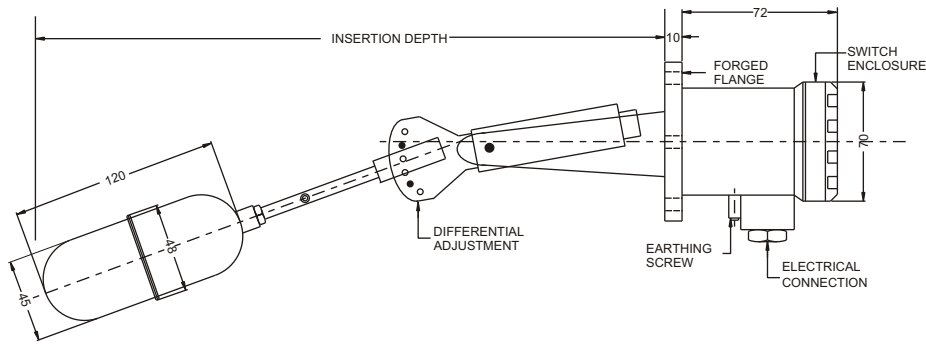
Room No – 303, Bhumika Residency, Plot No-21, Sector-20, Roadpali, Kalamboli, Panvel (Tal.), Raigad (Dist.), Maharashtra, India – 410218.

Mobile: +91 99309 98399 / +91 99674 97447

E-mail: admin@ipspl.in / sales@ipspl.in Website: www.ipspl.in

CIN : U52399MH2021PTC368555

TYPE - Z : ADJUSTABLE DIFFERENTIAL



HOW TO ORDER

BASIC MODEL

TYPE

- A GENERAL PURPOSE (Standard)
- T HIGH TEMPERATURE (UP TO 350°C) (With Aluminum Cooling Fin)
- Z ADJUSTABLE DIFFERENTIAL (With Process Connection Option **D03**)

INSERTION DEPTH

Min. 215 mm to 300 mm for Type A
 Min. 215 mm to 300 mm for Type T
 Min. 305 mm to 375 mm for Type Z
 Please specify Insertion length in mm.
 (Example : Write **215 A** For length **215 mm** & Type **A**)

HOUSING MATERIAL

- D DIE CAST ALUMINUM (Standard)
- Y AISI 316 SS

SWITCH OUTPUT

- 1 1 SPDT (Standard)
- 2 2 SPDT / 1 DPDT

PROCESS CONNECTION (*Float Diameter will be 25 mm, Seam diameter 28 mm)

		Flanged (As per ANSI B 16.5)					
D01	92 mm PCD SQUARE FLANGE (Standard)	6NM	1" NPT (M)*	B39	2" 150# RF	B40	2" 300# RF
D02	92 mm PCD ROUND FLANGE	7NM	1 1/2" NPT (M)*	B45	2 1/2" 150# RF	B46	2 1/2" 300# RF
D03	92 mm PCD FORGED SQUARE FLANGE	8NM	2" NPT (M)*	B51	3" 150# RF	B52	3" 300# RF
		6BM	1" BSP (M)*	C33	4" 150# RF	C34	4" 300# RF
		7BM	1 1/2" BSP (M)*				
		8BM	2" BSP (M)*				

OPTIONS (* For flange size above 3")

FOR NON STANDARD PRODUCTS/OPTIONAL ITEMS, PLEASE CONTACT FACTORY FOR DELIVERY AND MINIMUM QUANTITY OF ORDER.

- | | | | |
|----|---|----|--|
| PC | PTFE COATING (UP TO 150 °C) (For Flange connection type only) | GB | HOUSING - SUITABLE FOR GAS GROUP II A / II B |
| MF | MATCHING FLANGE | GC | HOUSING - SUITABLE FOR GAS GROUP II C |
| CG | 64 mm OD FLOAT OF AISI 316 SS* | GH | MATERIAL TEST CERTIFICATES** |
| SX | SS TAG PLATE | | |

**MATERIAL TEST CERTIFICATE WILL BE PROVIDED ONLY FOR WETTED PARTS WITH CHEMICAL COMPOSITION TESTING.FOR OTHERS PLEASE CONTACT FACTORY.

Note: Specifications and dimensions given in this catalogue the state of engineering at the time of printing.
 Modifications may take place and material specified may be replaced by others without prior notice.

IPS-LS-01

X

215A

X

X

XXX

XX